



CLIP top 110°

Technical data sheet

CLIP top

110° hinge



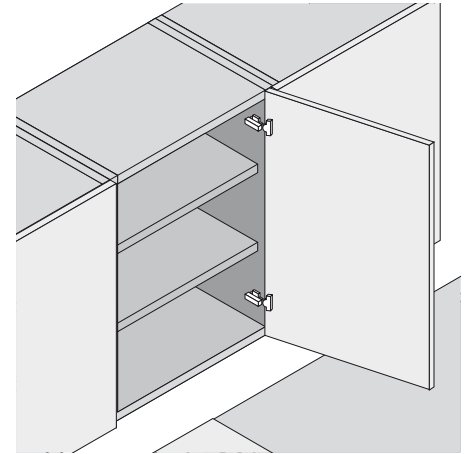
Product



Description

- All metal hinge, nickel plated
- 110° opening angle
- with convenient spiral-tech depth adjustment
- Compatible with existing mounting plates
- With or without closing mechanism (spring)
- Tool-free door to cabinet assembly and removal
- 3-dimensional adjustment (with relevant mounting plate)
- With **INSERTA** tool-free boss assembly

Application



Order specification

Overlay application		Dual application		Inset application	
	Boss INSERTA		Boss INSERTA		Boss INSERTA
	Part No.		Part No.		Part No.
Steel boss with spring	71T3590	Steel boss with spring	71T3690	Steel boss with spring	71T3790
Steel boss unsprung	70T3590.TL	Steel boss unsprung	70T3690.TL	Steel boss unsprung	70T3790.TL
	Boss Screw-on		Boss Screw-on		Boss Screw-on
Steel boss with spring	71T3550	Steel boss with spring	71T3650	Steel boss with spring	71T3750
Steel boss unsprung	70T3550.TL	Steel boss unsprung	70T3650.TL	Steel boss unsprung	70T3750.TL
	Boss Knock-in		Boss Knock-in		Boss Knock-in
	MZM.0040		MZM.0040		MZM.0040
Steel boss with spring	71T3580	Steel boss with spring	71T3680	Steel boss with spring	71T3780
	Boss EXPANDO		Boss EXPANDO		Boss EXPANDO
Steel boss with spring	71T358E	Steel boss with spring	71T368E	Steel boss with spring	71T378E
	Cover caps		Cover caps		Cover caps
Steel	Nickel plated	Steel	Nickel plated	Steel	Nickel plated
Plain	70.1503	Plain	70.1663	Plain	70.1663
Stamped	Blum 70.1503.BP	Screen print	Blum 70.1663.BL	Screen print	Blum 70.1663.BL
No cover cap is required when using BLUMOTION 973A0500		No cover cap is required when using BLUMOTION 973A0600		No cover cap is required when using BLUMOTION 973A0700	
Accessories					
	Chipboard screws for hinge boss fixing		Boss cover cap for screw-on/knock-in boss		Opening angle stop 86°
3.5 x 15 mm	609.1500	Steel	Nickel plated 70T3504	Nylon	70T3553
3.5 x 17 mm	609.1700				

CLIP top

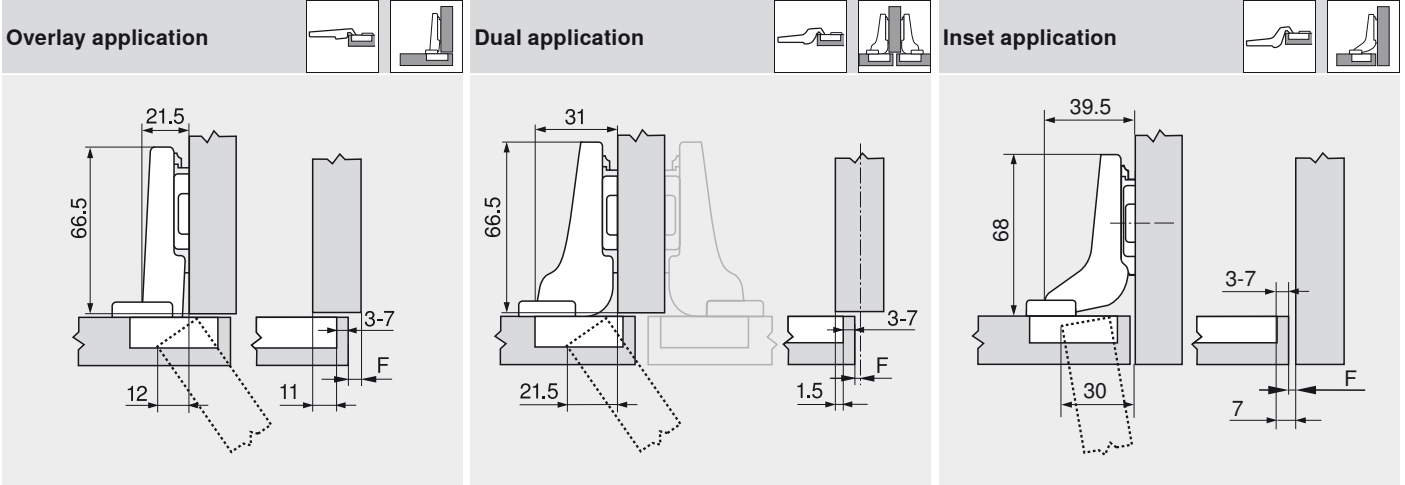
110° hinge



Planning

Hinge dimensions and gap calculation based on factory setting (mounting plate spacing = 0 mm)

Hinge and door protrusion at full opening angle



F Gap

Set mounting plate fixing position back by door thickness + 1.5 mm

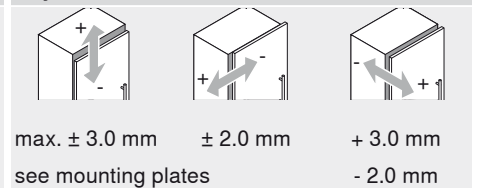
Drilling distance

	Front overlay																																																					
	5	6	7	8	9	10	11	12	13	14	15	16	17	18	Front overlay																																							
																			-4.5	-3.5	-2.5	-1.5	-0.5	0.5	1.5	2.5	3.5	4.5	5.5	6.5	7.5	8.5	Front overlay																					
0																																																						
3																																																						
6																																																						
9																																																						
↑	Mounting plate																		Mounting plate																		Mounting plate																	

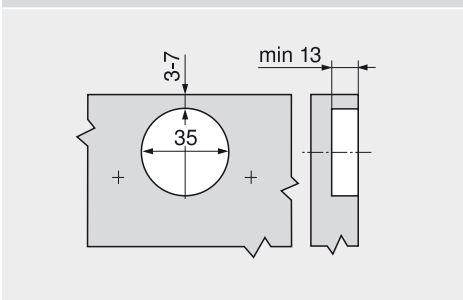
Minimum gap for doors with radiused edges (R = 1 mm) based on factory setting

Door thickness	Door thickness												
	16	18	19	20	21	22	23	24	25	26	28	30	32
3	0.5	0.8	1.0	1.2	1.5	1.8	2.2	2.7	3.5	4.3	A trial application is recommended		
4	0.5	0.8	1.0	1.2	1.4	1.7	2.0	2.5	3.1	3.8			
5	0.5	0.8	0.9	1.2	1.4	1.7	2.0	2.4	2.9	3.4			
6	0.5	0.8	0.9	1.2	1.3	1.6	1.9	2.3	2.7	3.2			
7	0.5	0.8	0.9	1.1	1.3	1.6	1.9	2.2	2.6	3.0			
Additional at + 2 mm side adjustment													
	+0.2	+0.4	+0.4	+0.5	+0.5	+0.5	+0.5	+0.5	+0.5	+0.5	+0.5	+0.5	+0.5

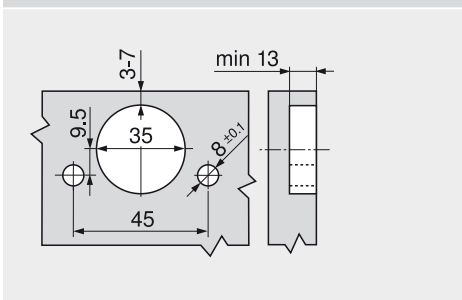
Adjustments



Screw-on



INSERTA / knock-in



Hinge boss dimensions

