



CLIP top 110° special hinge

Technical data sheet



110° special hinge

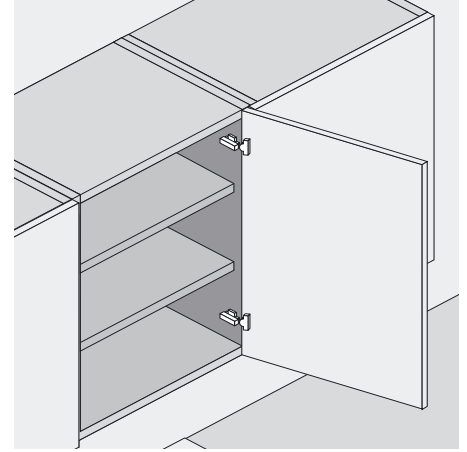
Product



Description

- All metal hinge, nickel plated
- Hinge with large overlay for thick cabinet sides
- 110° opening angle
- with convenient spiral-tech depth adjustment
- Compatible with existing mounting plates
- With or without closing mechanism (spring)
- Tool-free door to cabinet assembly and removal
- 3-dimensional adjustment (with relevant mounting plate)
- With **INSERTA** tool-free boss assembly

Application



Order specification

Overlay application			
	Boss	Part No.	
	Steel boss with spring		
	Steel boss unsprung		

	Boss Screw-on		
	Steel boss with spring		
	Steel boss unsprung		

	Boss Knock-in		
	Steel boss with spring		
	Steel boss unsprung		

	Boss EXPANDO		
	Steel boss with spring		

	Cover caps	
	Steel	Nickel plated
	Plain	
	Stamped	Blum
No cover cap is required when using BLUMOTION 973A.		

Accessories					
	Chipboard screws for hinge boss fixing		Boss cover cap for screw-on/knock-in boss		Opening angle stop 86°
	3.5 x 15 mm		Steel		Nylon
	3.5 x 17 mm		Nickel plated		

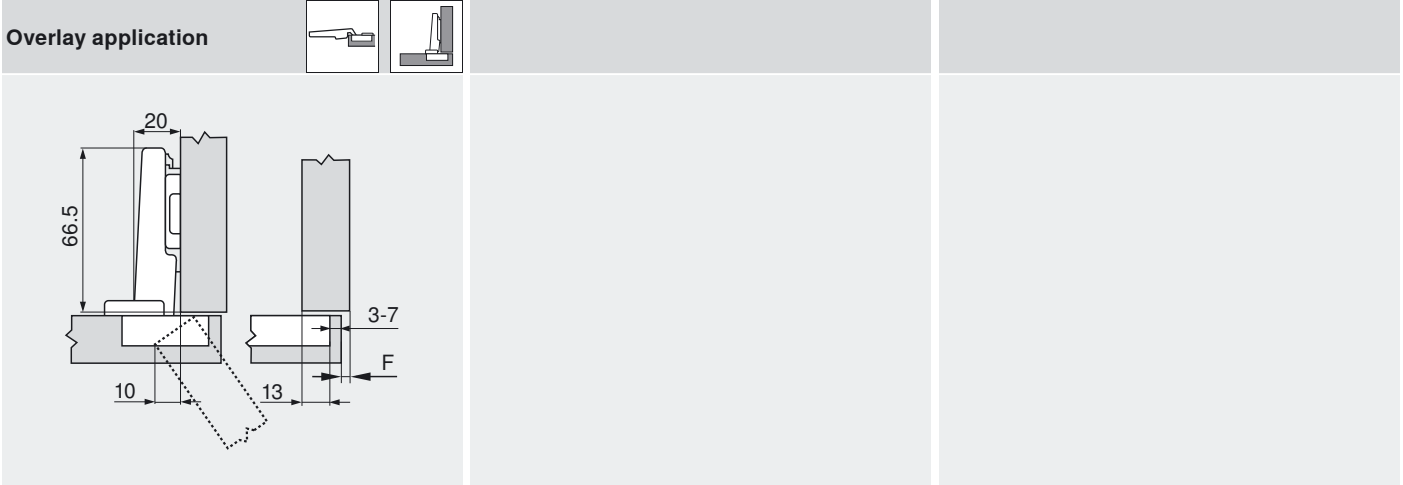


110° special hinge

Planning

Hinge dimensions and gap calculation based on factory setting (mounting plate spacing = 0 mm)

Hinge and door protrusion at full opening angle



F Gap

Drilling distance

	Front overlay													
	7	8	9	10	11	12	13	14	15	16	17	18	19	20
0										3	4	5	6	7
3						3	4	5	6	7				
6				3	4	5	6	7						
9	3	4	5	6	7									

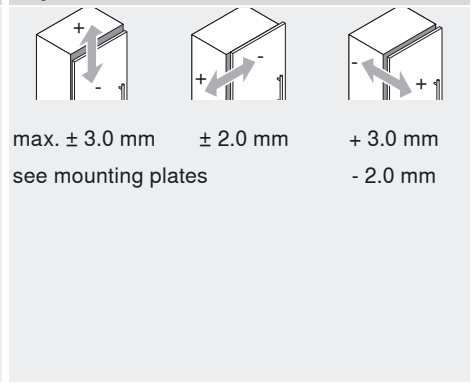
└ Mounting plate

Minimum gap for doors with radiused edges (R = 1 mm) based on factory setting

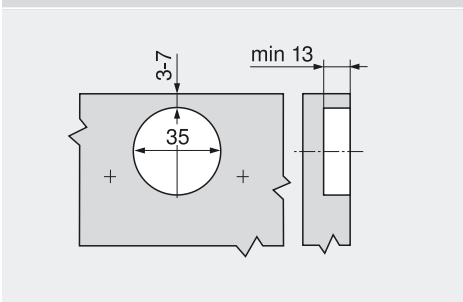
	Door thickness												A trial application is recommended
	16	18	19	20	21	22	23	24	25	26	28	30	
3	0.5	0.8	1.0	1.2	1.5	1.8	2.2	2.7	3.5	4.3			
4	0.5	0.8	1.0	1.2	1.4	1.7	2.0	2.5	3.1	3.8			
5	0.5	0.8	0.9	1.2	1.4	1.7	2.0	2.4	2.9	3.4			
6	0.5	0.8	0.9	1.2	1.3	1.6	1.9	2.3	2.7	3.2			
7	0.5	0.8	0.9	1.1	1.3	1.6	1.9	2.2	2.6	3.0			
Additional at + 2 mm side adjustment													
	+0.2	+0.4	+0.4	+0.5	+0.5	+0.5	+0.5	+0.5	+0.5	+0.5	+0.5	+0.5	+0.5

Drilling distance

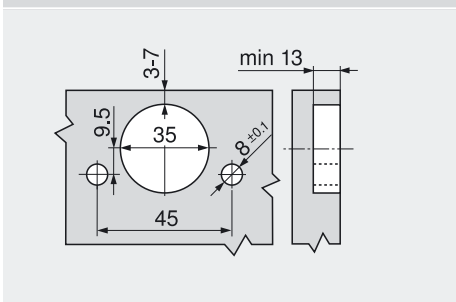
Adjustments



Screw-on



INSERTA / knock-in



Hinge boss dimensions

